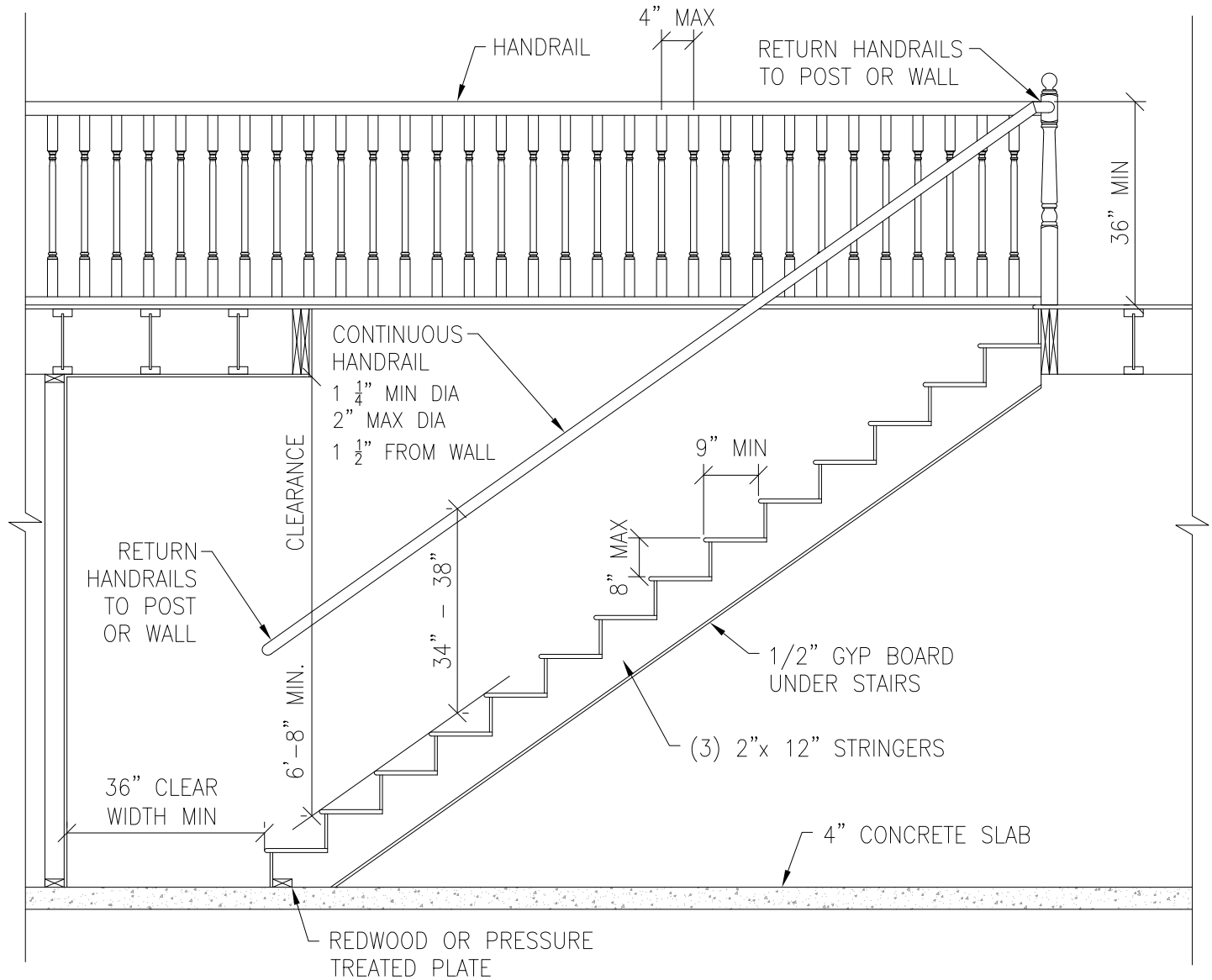


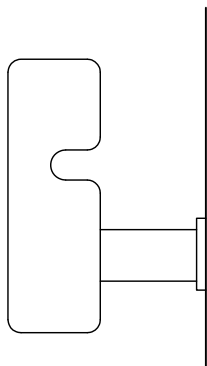
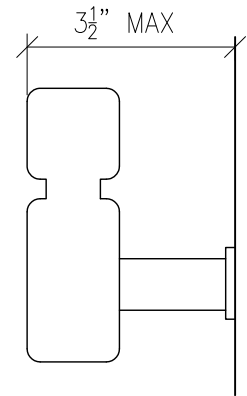
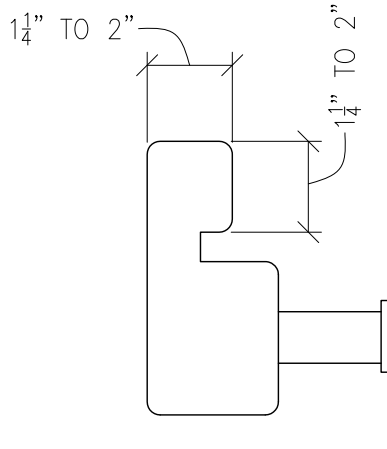
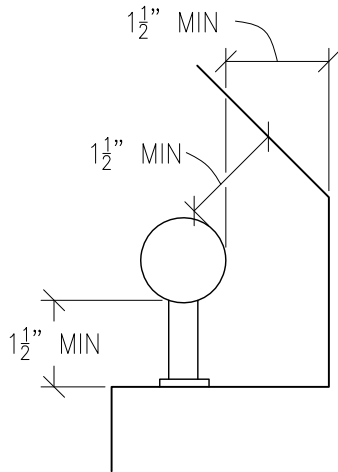
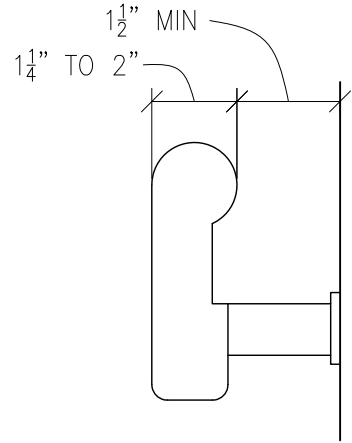
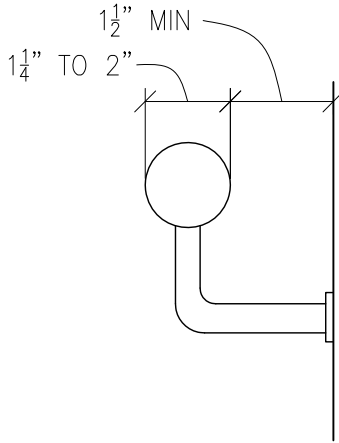
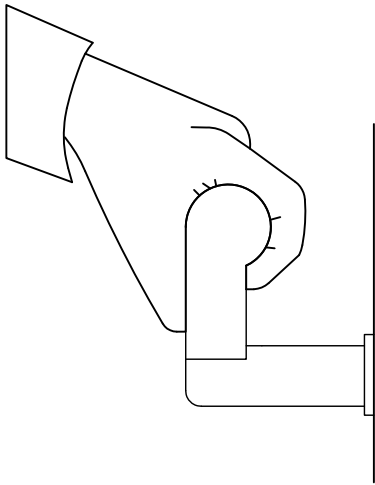
RESIDENTIAL HANDRAIL, GUARDRAIL AND STAIR DETAIL

NOT TO SCALE

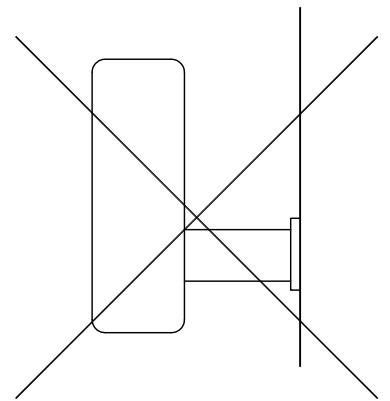


ACCEPTABLE SHAPES AND INSTALLATIONS OF HANDRAILS

NOT TO SCALE



NOTE:
OTHER SHAPES MAY BE ACCEPTABLE
IF THEY PROVIDE AN EQUIVALENT
GRIPPING SURFACE. SEE THIRD
PARAGRAPH OF SECTION 1006.9



NOT ACCEPTABLE

